

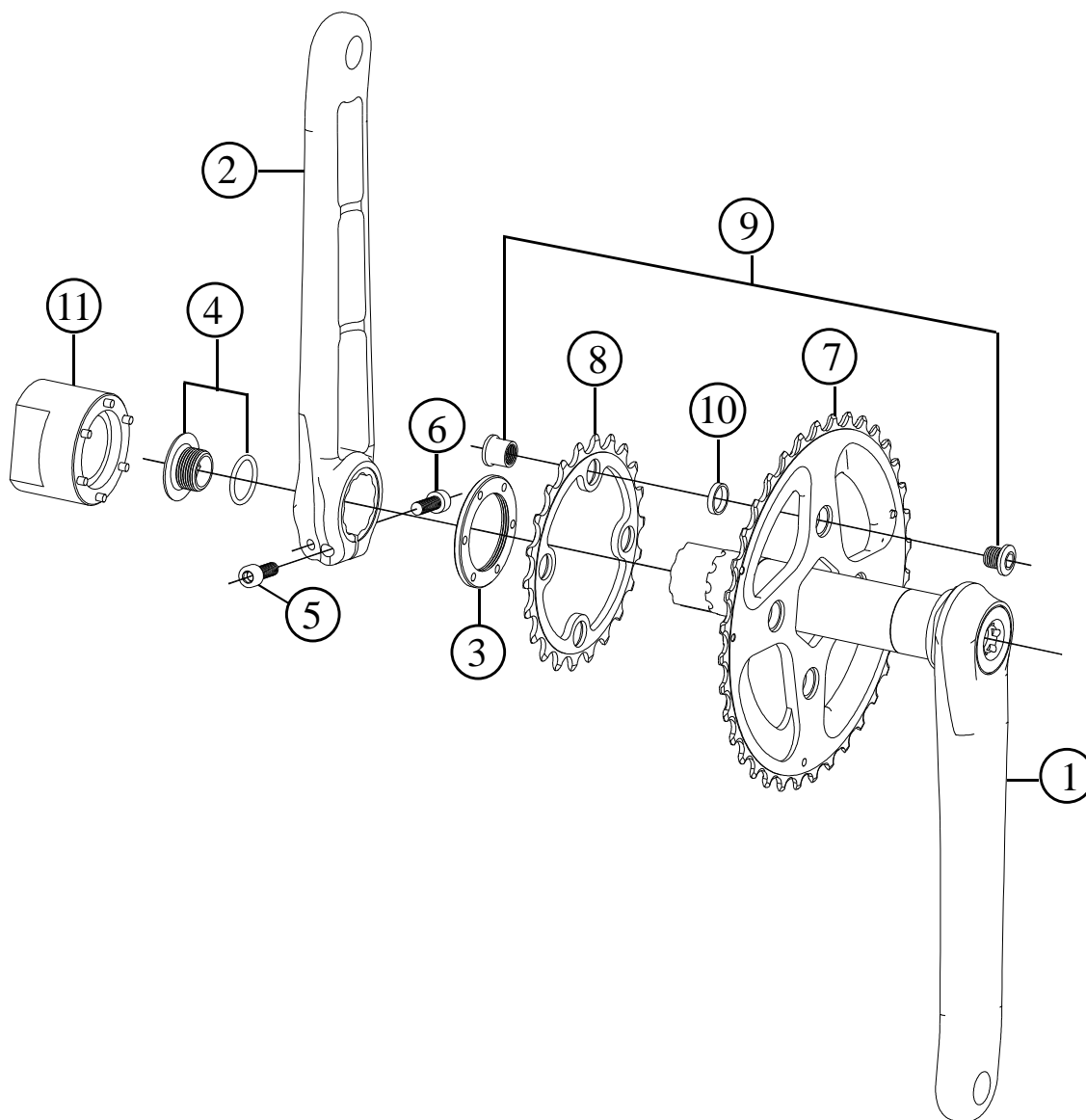


2014

SPARE PART  
MANUAL  
&  
PRICE LIST

Front Crankset for MTB  
**CU3-M20 NS Double**

**2014**

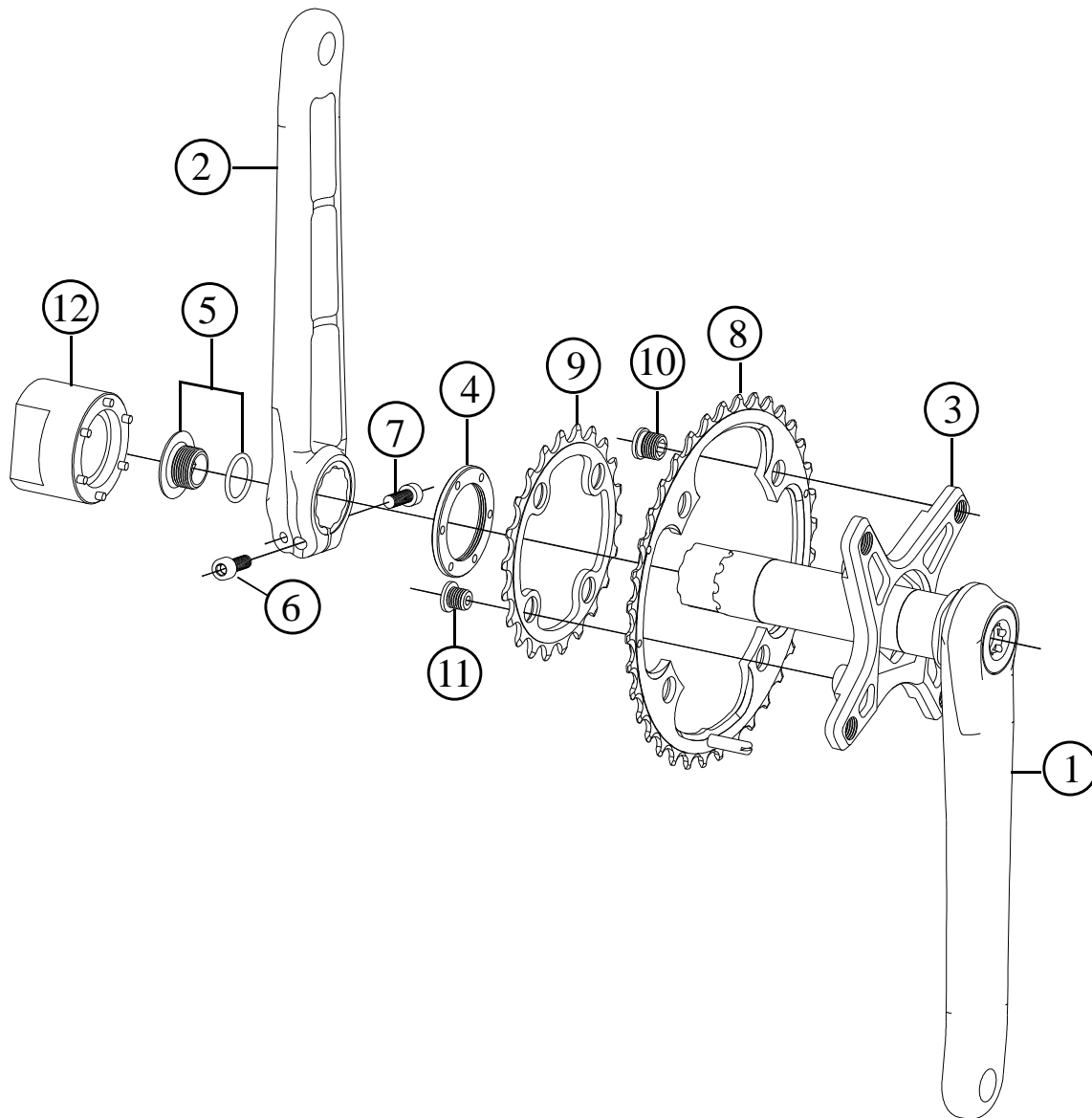


Item no.	Code	DESCRIPTION	Price €
1	CU3RCA	Integral Right Arm with 25mm Axle. 170-172,5-175 mm – Black Hard Anodised	180,0
2	CU3LCA	Integral Left Arm with 25mm Axle. 170-172,5-175 mm - Black Hard Anodised	120,0
3	CU006	Lock Ring	6,0
4	CU18R	Bolt for Play Adjustment. (Black, Red, Titan, Blue, Orange ano.)+O-Ring 2056 (I.D. 14x1,78mm)	6,0
5 - 6		Allen bolt M5 x 12 + M5 x 15 / Titanium - Gold Plated	Set of 2 pcs 13,5 set
7	CU40NS	Chain Ring NS 40T BCD 85mm Black anodised	80,0
7	CU38NS	Chain Ring NS 38T BCD 64mm Black anodised	80,0
7	CU36NS	Chain Ring NS 36T BCD 64mm Black anodised	72,0
8	CU27NS	Chain Ring NS 27T BCD 85mm (compat. 40/42NS rings only) Black anodised	31,0
8	CU24NS	Chain Ring NS 24T BCD 64mm (compat. 38NS ring only) Black anodised	31,0
8	CU22NS	Chain Ring NS 22T BCD 64mm (compat. 36NS ring only) Black anodised	23,0
9	CU004G	Chainring Fixing Bolt & Nut: Black, Red, Titan, Blue, Orange anodised	Kit of 4 sets 22,0 kit
10	CU004S	Chainring Spacer NS – Light Alloy	Set of 4 pcs 1,6 set
11	NSTOOL25	Tool to disassemble the Lock Ring – Axle 25mm	19,0

Specifications are subject to change without notice

Front Crankset for MTB  
**CU3-M20 ENDURO Double**

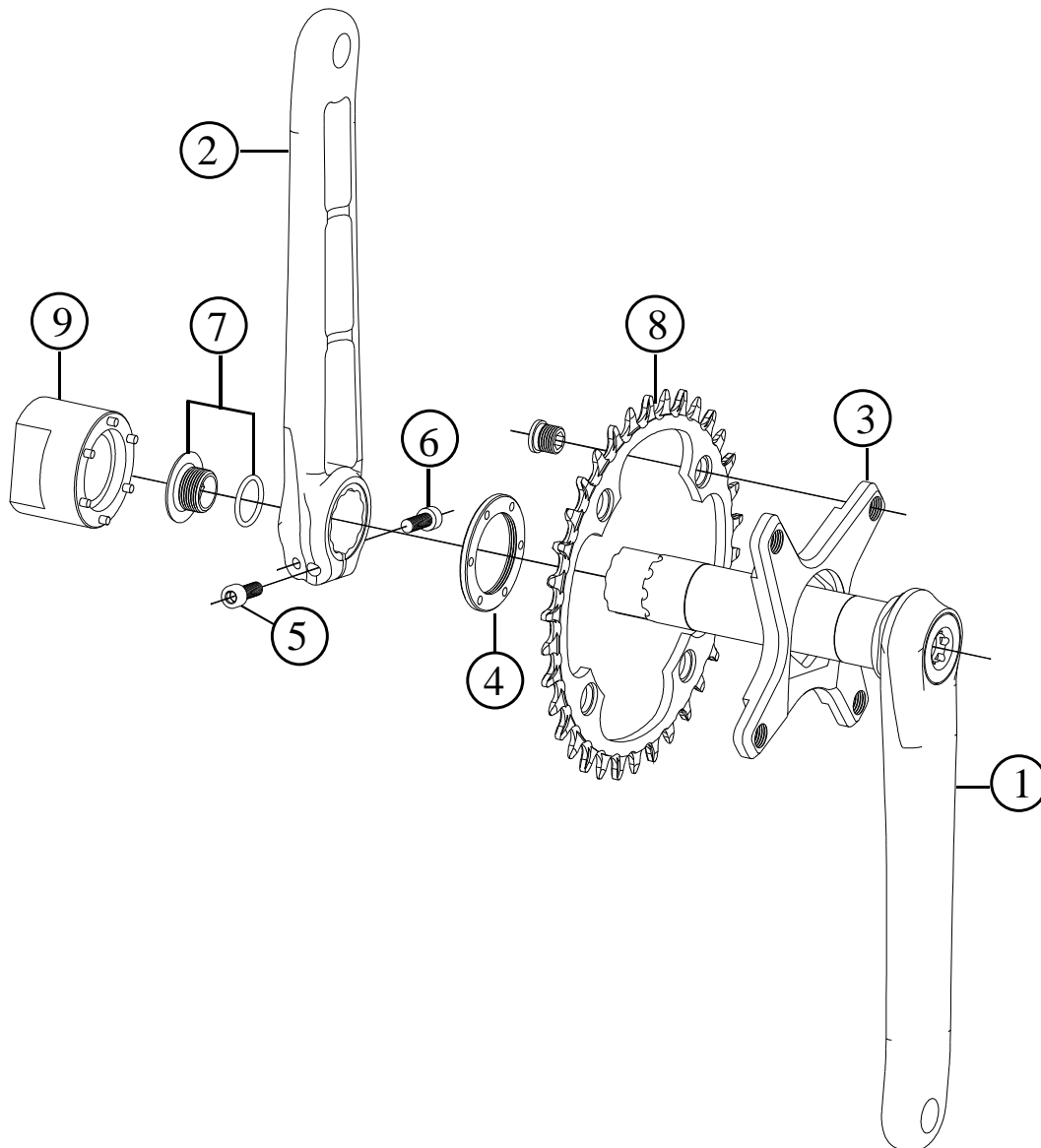
**2014**



Item no.	Code	DESCRIPTION	Price €
1	CU3RCA	Integral Right Arm with 25mm Axle. 170-172,5-175 mm – Black Hard Anodised	180,0
2	CU3LCA	Integral Left Arm with 25mm Axle. 170-172,5-175 mm - Black Hard Anodised	120,0
3 - 10	CU3DS	Spider for Double Chainring. BCD 104-64mm. Black Anodised. Laser Etched "Enduro" + Bolts	84,0
4	CU006	Lock Ring	6,0
5	CU18R	Bolt for Play Adjustment. (Black, Red, Titan, Blue, Orange ano.)+O-Ring 2056 (I.D. 14x1,78mm)	6,0
6 - 7		Allen bolt M5 x 12 + M5 x 15 / Titanium - Gold Plated	Set of 2 pcs 13,5 set
8	3TO236T	3TO2 Chainring for Conversion. 36T. BCD 104mm. Black Anodised.	52,0
9	3TO222T	22T Chainring. BCD 64mm. Black Anodised	23,0
10	CU005H	Fixing Bolt for Large Chainring. Compatible with Spider for Double or Single	Set of 4 pcs 11,0 set
11	CU005G	Fixing Bolt for Small Chainring	Set of 4 pcs 11,0 set
12	NSTOOL25	Tool to disassemble the Lock Ring – Axle 25mm	19,0

Front Crankset for MTB  
**CU3-M11 ENDURO Syncro-Ring**

**2014**

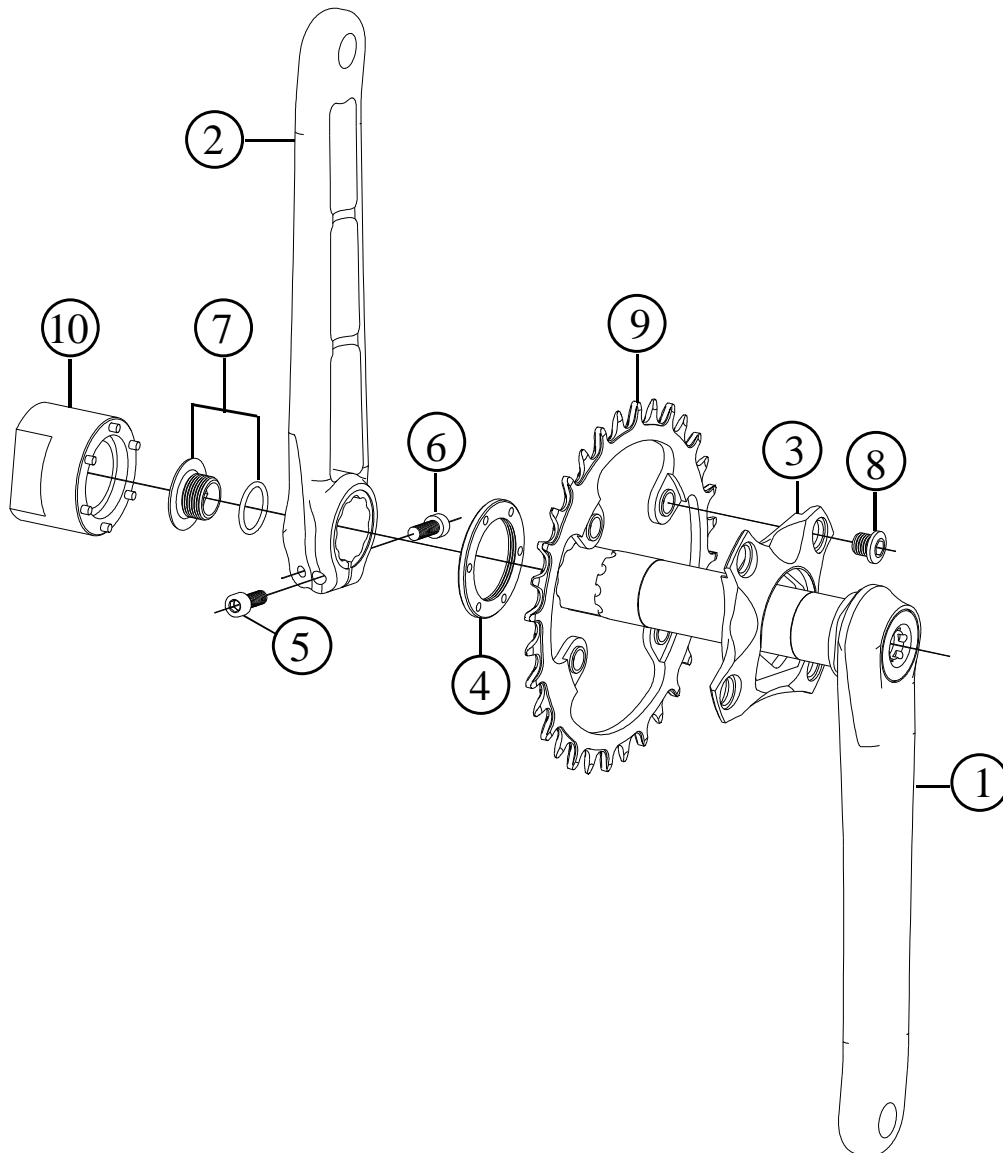


Item no.	Code	DESCRIPTION	Price €
1	CU3RCA	Integral Right Arm with 25mm Axle. 170-172,5-175 mm – Black Hard Anodised	180,0
2	CU3LCA	Integral Left Arm with 25mm Axle. 170-172,5-175 mm - Black Hard Anodised	120,0
3	CU3SS	Spider for Single Chainring. BCD 104mm. Black Anodised + Bolts	76,0
4	CU006	Lock Ring	6,0
5 - 6		Allen bolt M5 x 12 + M5 x 15 / Titanium - Gold Plated	Set of 2 pcs 13,5 set
7	CU18R	Bolt for Play Adjustment. (Black, Red, Titan, Blue, Orange ano.)+O-Ring 2056 (I.D. 14x1,78mm)	6,0
8	32TSR104	32T Syncro-Ring Chainring. BCD 104mm. Black Anodised	61,0
8	34TSR104	34T Syncro-Ring Chainring BCD 104mm. Black Anodised	61,0
9	NSTOOL25	Tool to disassemble the Lock Ring – Axle 25mm	19,0
10	CU005H	Fixing Bolt for Large Chainring. Compatible with Spider for Single or Double	Set of 4 pcs 11,0 set

Specifications are subject to change without notice

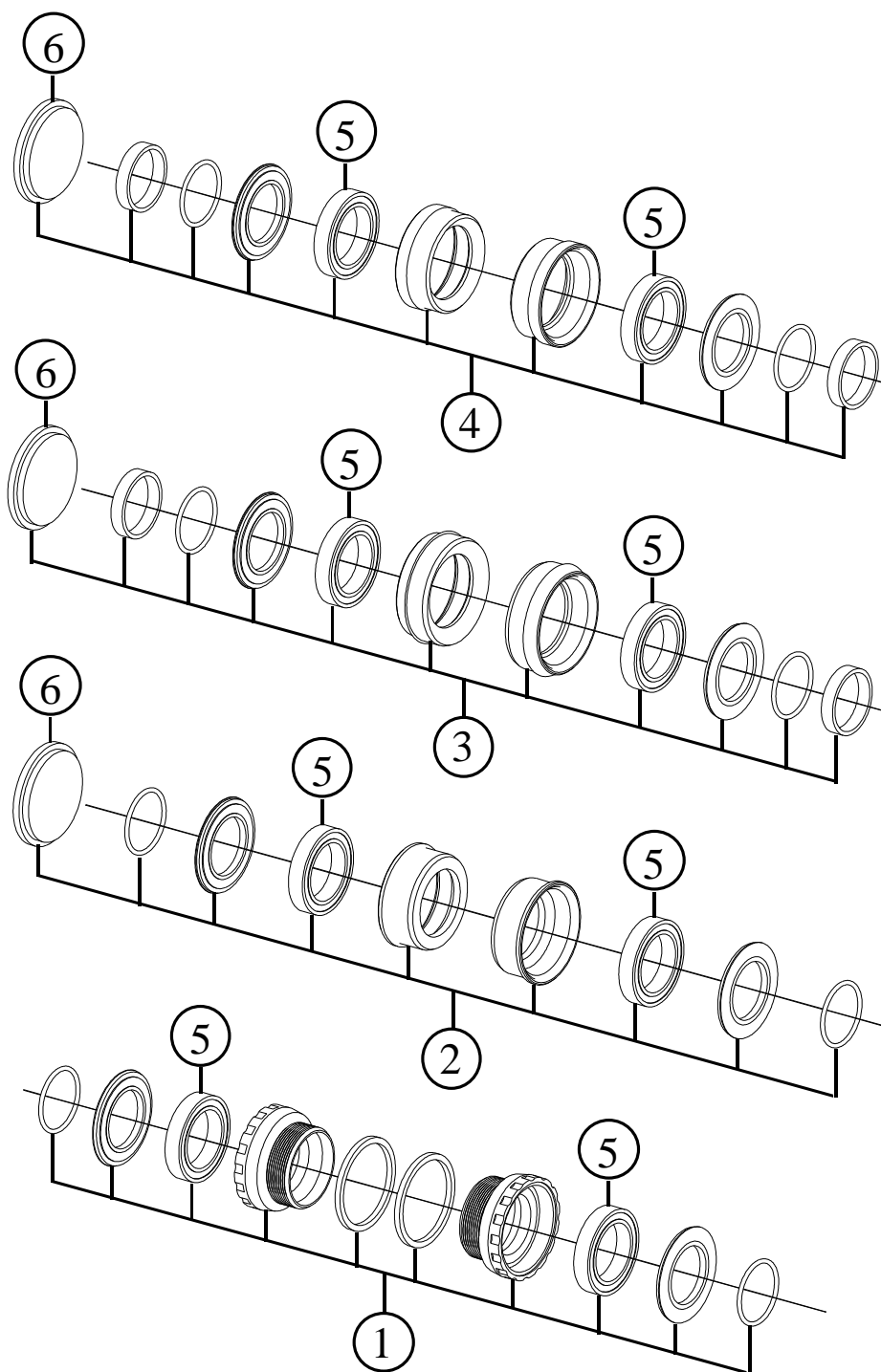
Front Crankset for MTB  
**CU3-M11 SINGLE Syncro-Ring**

**2014**



Item no.	Code	DESCRIPTION	Price €
1	CU3RCA	Integral Right Arm with 25mm Axle. 170-172,5-175 mm – Black Hard Anodised	180,0
2	CU3LCA	Integral Left Arm with 25mm Axle. 170-172,5-175 mm - Black Hard Anodised	120,0
3	CU3SXX1	Spider for Sram XX1 Original Chainrings	76,0
4	CU006	Lock Ring	6,0
5 - 6		Allen bolt M5 x 12 + M5 x 15 / Titanium - Gold Plated	Set of 2 pcs 13,5 set
7	CU18R	Bolt for Play Adjustment. (Black, Red, Titan, Blue, Orange ano.)+O-Ring 2056 (I.D. 14x1,78mm)	6,0
8	CU00XX1	Fixing Bolt compatible with XX1 rings (M8,4x0,75mm)	Set of 4 pcs 11,0 set
9	30TSRXX1	30T Syncro-Ring Chainring. XX1 Compatible. Black Anodised	70,0
9	32TSRXX1	32T Syncro-Ring Chainring. XX1 Compatible. Black Anodised	70,0
9	34TSRXX1	34T Syncro-Ring Chainring. XX1 Compatible. Black Anodised	70,0
10	NSTOOL25	Tool to disassemble the Lock Ring – Axle 25mm	19,0

Specifications are subject to change without notice

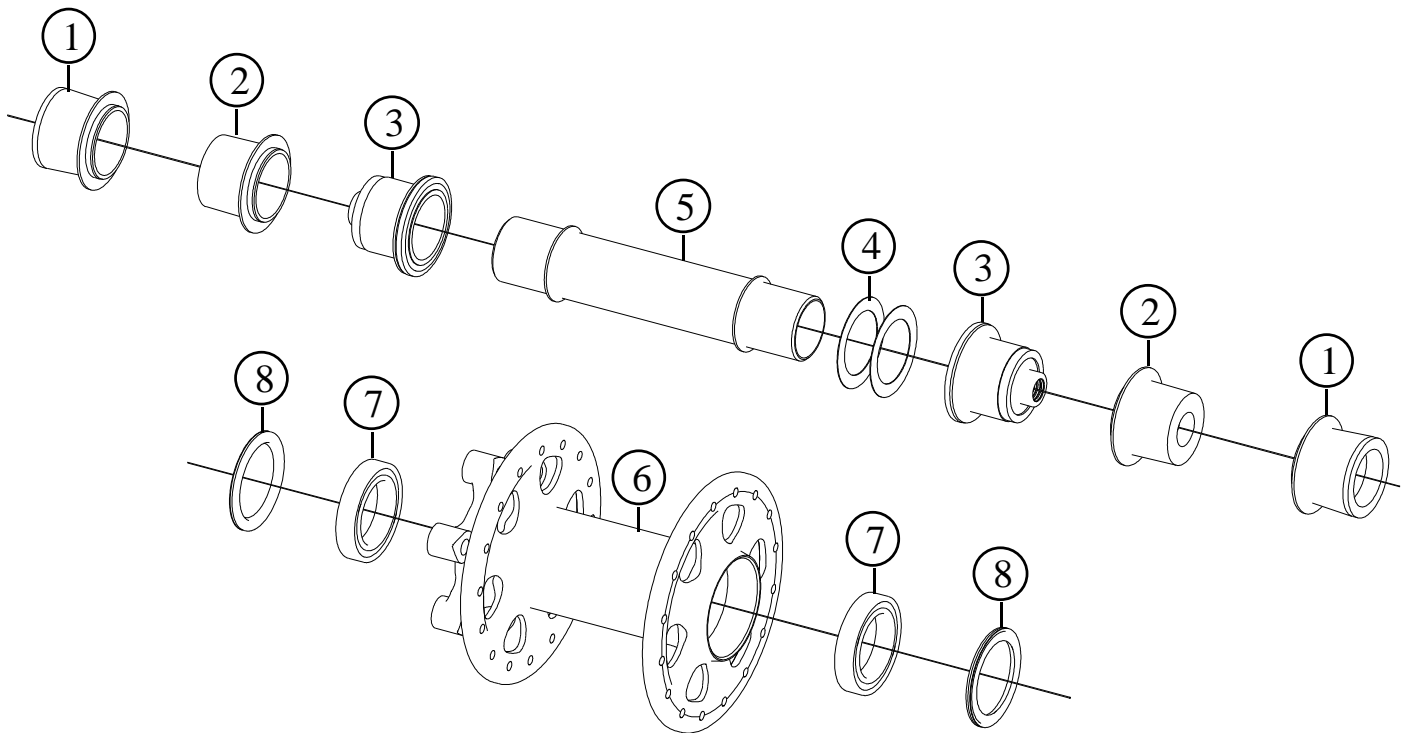


Item no.	Code	DESCRIPTION	Price €
1	BSABBKIT	BSA Bottom Bracket Kit including Cups, Bearings, Spacers (for 68 or 73mm Shells)	92,0
2	PFBBKIT	Press-Fit Bottom Bracket Kit including Cups, Bearings, Spacers (for 89,5 or 93mm Shells)	92,0
3	PF30BBKIT	Press-Fit 30 Bottom Bracket Kit including Cups, Bearings, Spacers (for 73mm Shells)	92,0
4	BB30BBKIT	BB 30 Bottom Bracket Kit including Cups, Bearings, Spacers (for 73 or 84,5mm Shells)	92,0
5		Nachi Bearing (Double Seal) 25 x 37 x 7mm	Set of 2 pcs 41,8 set
6		Press-Tool to install pressed cups into frames	3,0

Specifications are subject to change without notice

Front Hub for MTB and Road Disc  
**VENUS SUPER RACE MTB**  
**VENUS SUPER RACE ROAD**

**2014**

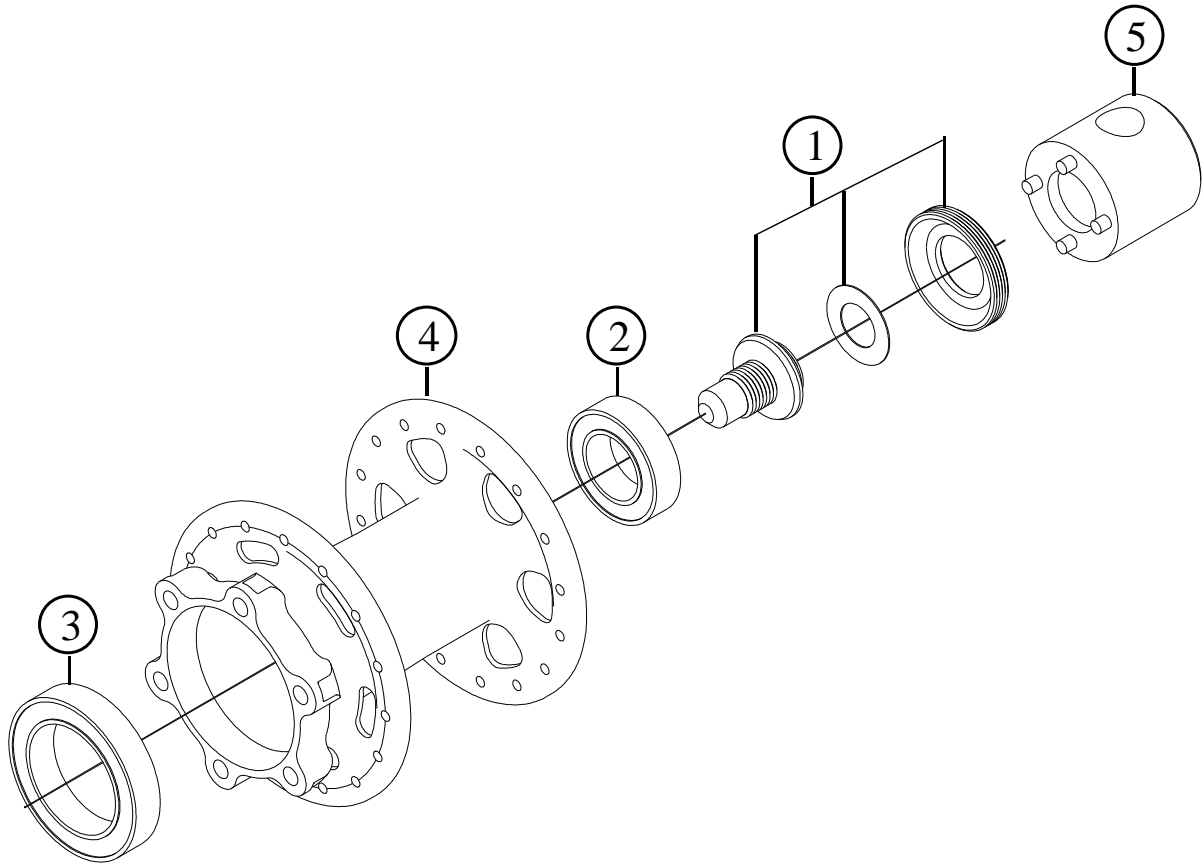


Item no.	Code	DESCRIPTION		Price €
1	FHVLS15	Axle Cap End for QR15 forks. Compatible with Lip Seals/ Light Alloy	Set of 2pcs	20,1 set
2	FHURACE9	Axle Cap End for 9mm Through-Axle Q. R. Compatible with Lip Seals/ Light Alloy.	Set of 2pcs	20,1 set
3	FHURACE	Axle Cap End for 5mm axle Quick Release. Road style w/out Lip Seals Light Alloy	Set of 2pcs	20,1 set
4	SW1724015	Steel washer: 17 x 24 x 0,15mm	Set of 10pcs	1,0 set
5	FHURAX	Axle dia. 17mm. Light Alloy. Hard Anodised		25,0
6	FHVSR24	Venus Super Race Hub Body /Alloy. 24H		65,0
6	FHVSR28	Venus Super Race Hub Body /Alloy. 28H		65,0
6	FHVSR32	Venus Super Race Hub Body /Alloy. 32H		65,0
7	HUBMKIT	Bearing Enduro 17 x 26 x 5mm ABEC5 61803 2RS	Set of 2pcs	17,2 set
8	SE1952615VC	Rubber Lip Seal 19,5 x 26 x 1,5mm	Set of 2 pcs	3,40 set

Specifications are subject to change without notice

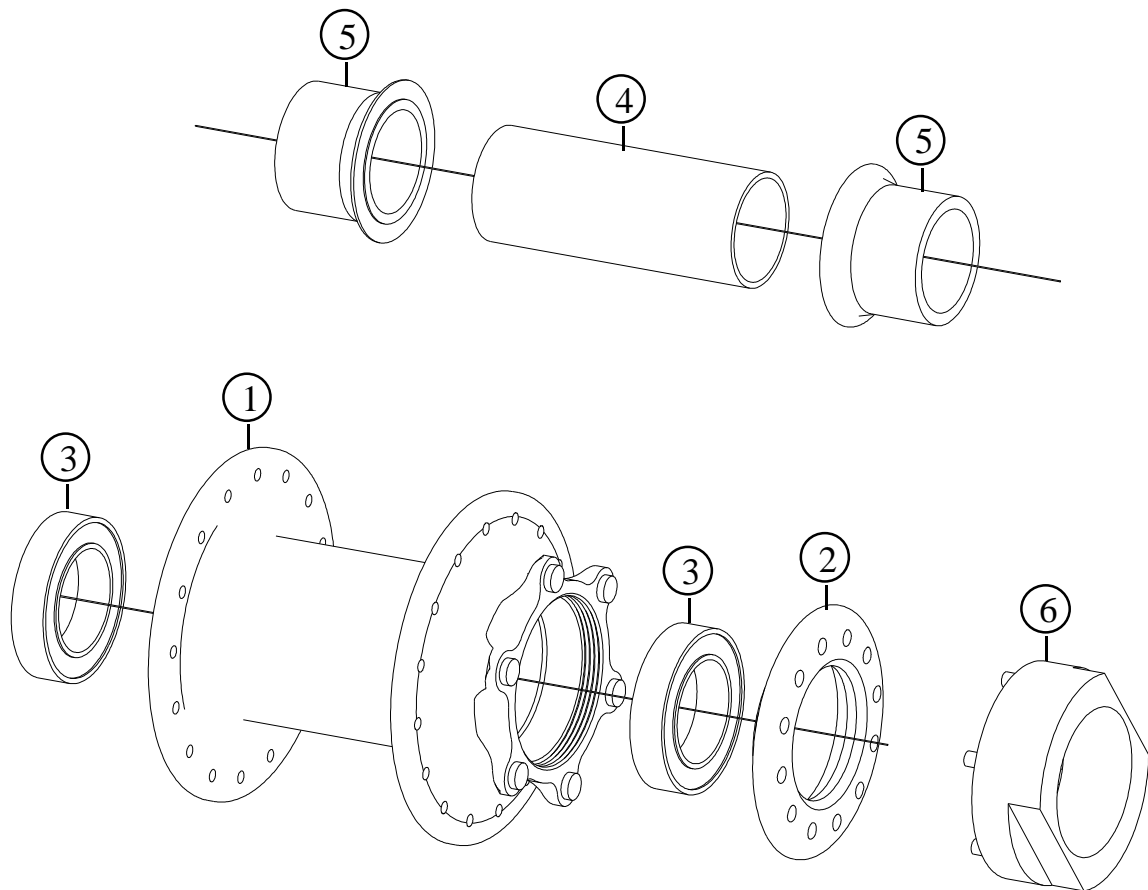
Front Hub for MTB  
**VENUS LEFTY Super Race**

**2014**



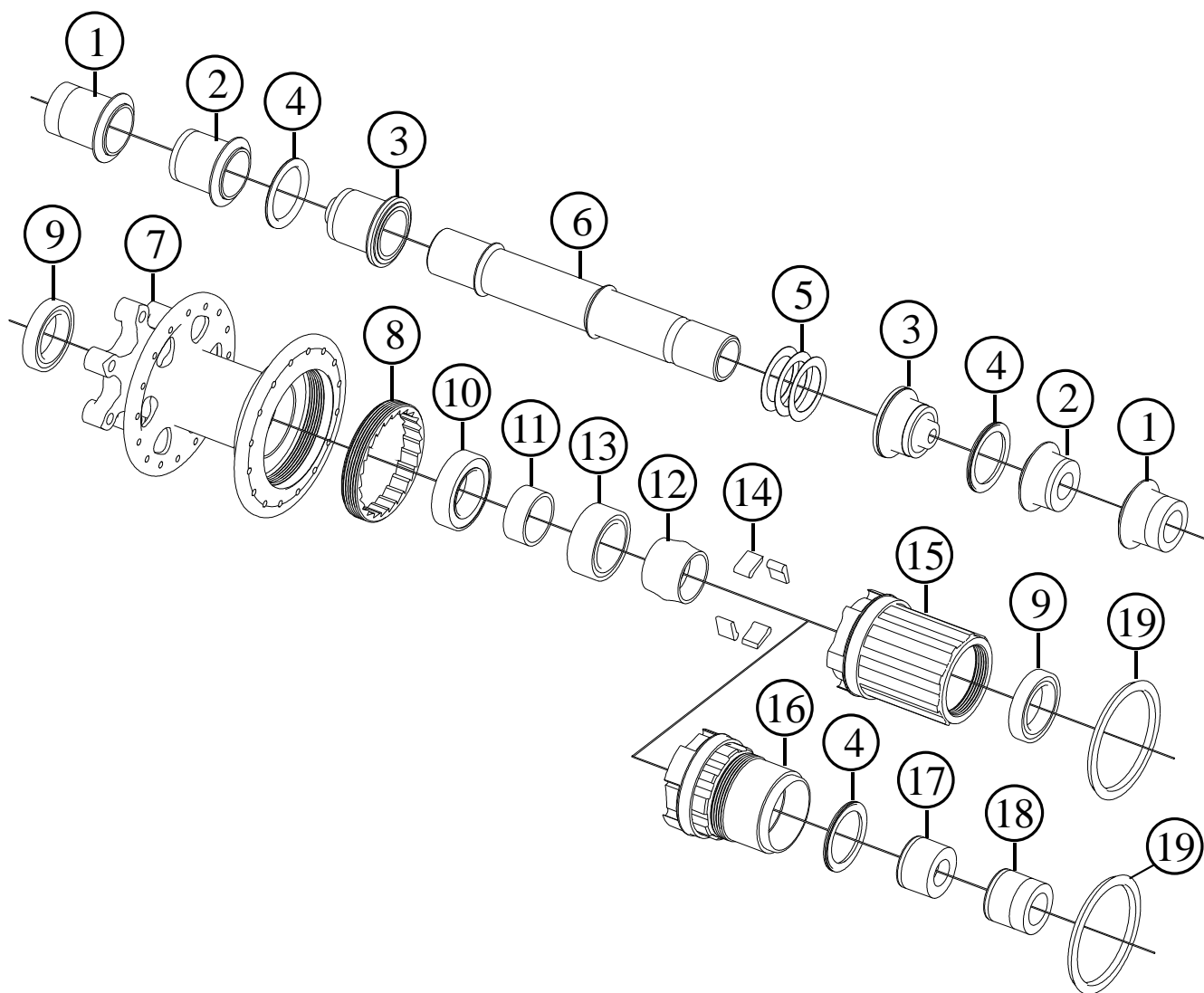
Item no.	Code	DESCRIPTION	Price €
1	FHVLFB	Lock-Ring, Fixing Bolt in light alloy + Melinex Washer	12,0
2	MR1526	Bearing Enduro 26 x 15 x 7mm ABEC5 MR1526 2RS	7,4
3	BB37257RS	Bearing Nachi 25 x 37 x 7mm (Double Seal)	20,9
4	FHVSRL24	Hub Body Venus Super Race Lefty / Alloy. 24H	80,0
4	FHVSRL28	Hub Body Venus Super Race Lefty / Alloy. 28H	80,0
4	FHVSRL32	Hub Body Venus Super Race Lefty / Alloy. 32H	80,0
5	VSRLTOOL	Tool for Lock-Ring	19,0

Specifications are subject to change without notice



Item no.	Code	DESCRIPTION	Price €
1	FHURQR20BLK	Hub Body QR20 / Alloy. Black anodised. 32H	60,0
2	URDLR6HQR20	Disc Lock-Ring QR20 for use with specific 6 pin Tool / Light Alloy	12,0
3	HUB20MKIT	Bearing Enduro 20 x 32 x 7mm ABEC5 2RS	20,2 set
4	FHTISP	Spacer 22x57mm. Light Alloy	5,0
5	FHTIACQR20	Axle Cap End QR20 compatible with QR20 forks. Light Alloy	16,5 set
5	FHTIACQR15	Axle Cap End QR215 compatible with QR15 forks. Light Alloy	16,5 set
6	URDLRTOOL	Disc Lock-Ring Tool (6 pins)	19,0

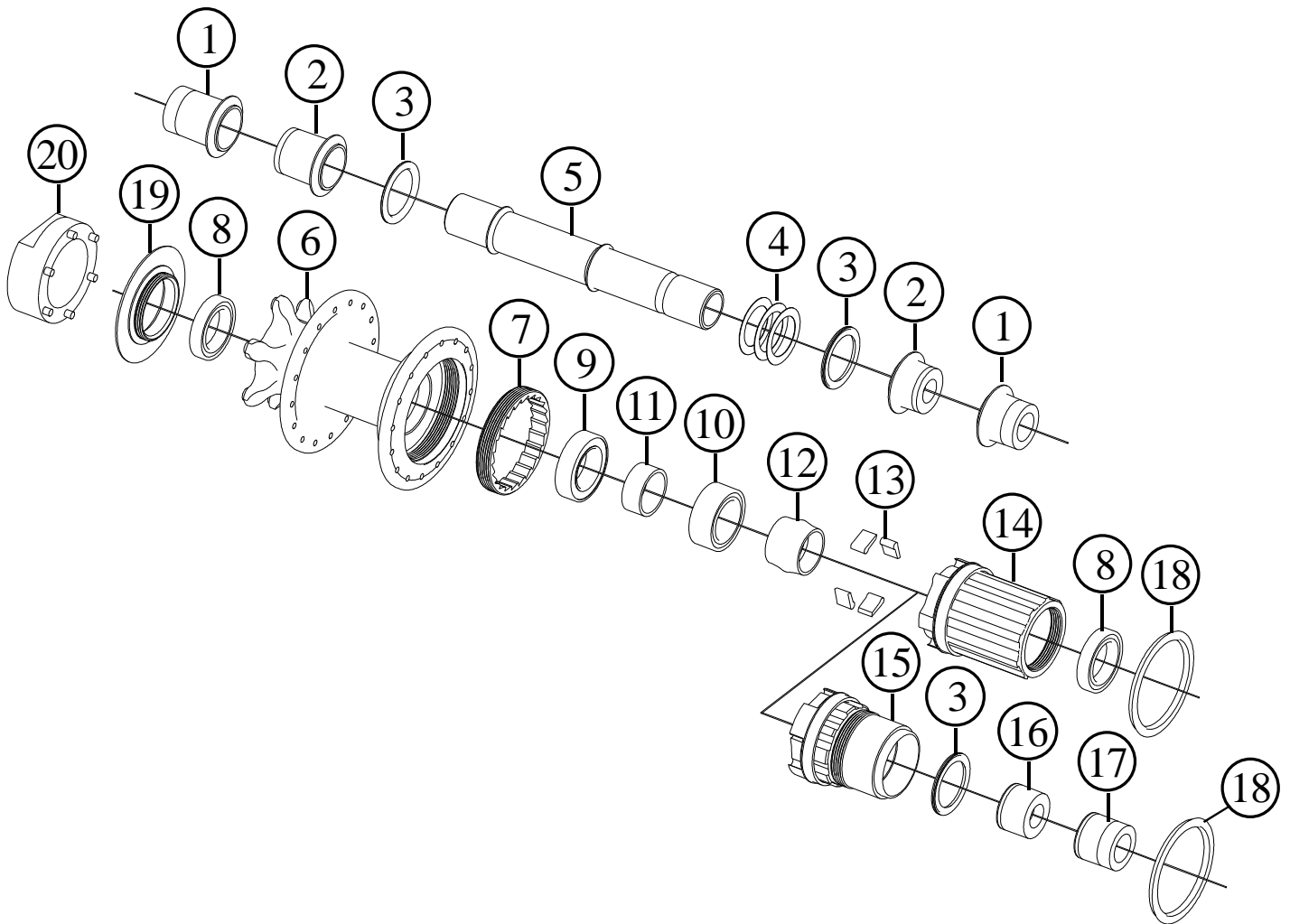
**2014**



Item no.	Code	DESCRIPTION		Price €
1	RHURACEX12	Axle Cap Ends X12 (142 x12mm). L&R. Compatible with Lip Seals.	Set of 2 pcs	20,1 set
2	RHURACE10	Axle Cap Ends for 10mm Through-Axle Quick R. L&R. Compatible with Lip Seals	Set of 2 pcs	20,1 set
3	RHURACE	Axle Cap Ends for 5mm axle Quick Release. L& R. Road style w/out Lip Seals	Set of 2 pcs	20,1 set
4	SE1952615VC	Rubber Lip Seal 19,5 x 26 x 1,5mm	Set of 2 pcs	3,40 set
5	SW1724015	Steel washer: 17 x 24 x 0,15mm	Set of 10 pcs	1,0 set
6	RHVRAX	Axle dia. 17mm. Length 123,5mm. Light Alloy. Hard Anodised		30,0
7	RHVSR24	Venus Super Race Hub Body /Alloy 24H		75,0
7	RHVSR28	Venus Super Race Hub Body /Alloy 28H		75,0
7	RHVSR32	Venus Super Race Hub Body /Alloy 32H		75,0
8	RHURTITR	Teethed Ring in Titanium		45,0
9	HUBMKIT	Enduro Bearing 17 x 26 x 5mm ABEC5 61803 2RS	Set of 2pcs	17,2 set
10	EBMR17287	Enduro Bearing 17 x 28 x 7mm ABEC5 2RS		7,5
11 - 12	RHVRFWS	Freewheel Spacers 20 x 17 x 10,3mm + 21,8 x 17 x 15,5mm / Light Alloy	Set of 2 pcs	4,0
13	EB3803	Enduro Bearing 17 x 26 x 10mm 3803 2RS		15,50
14	RHVRFWP	Freewheel Big Pawls in High Steel + Coil Spring	Set of 4 pcs	15,0 set
15	RHURFW4P10	Big Pawl Freewheel Body for 10s cassettes . Light Alloy		35,0
15	RHURFW4P11	Big Pawl Freewheel Body for 11s road cassettes . Light Alloy		35,0
16	RHURFWXX1	Big Pawl Freewheel Body for 11s Sram XX1 / X01 cassettes . Light Alloy		35,0
17	RHROC10XX1	Axle Cap End for 10mm Through-Axle Quick R. For XX1 Freewheel (RHURFWXX1) Right side		6,0
18	RHROC12XX1	Axle Cap End X12 (12x142). For XX1 Freewheel (RHURFWXX1) Right side		6,0
19	SE3744525VG	Rubber Lip Seal SE 37 x 44,5 x 2,5 VG		4,0

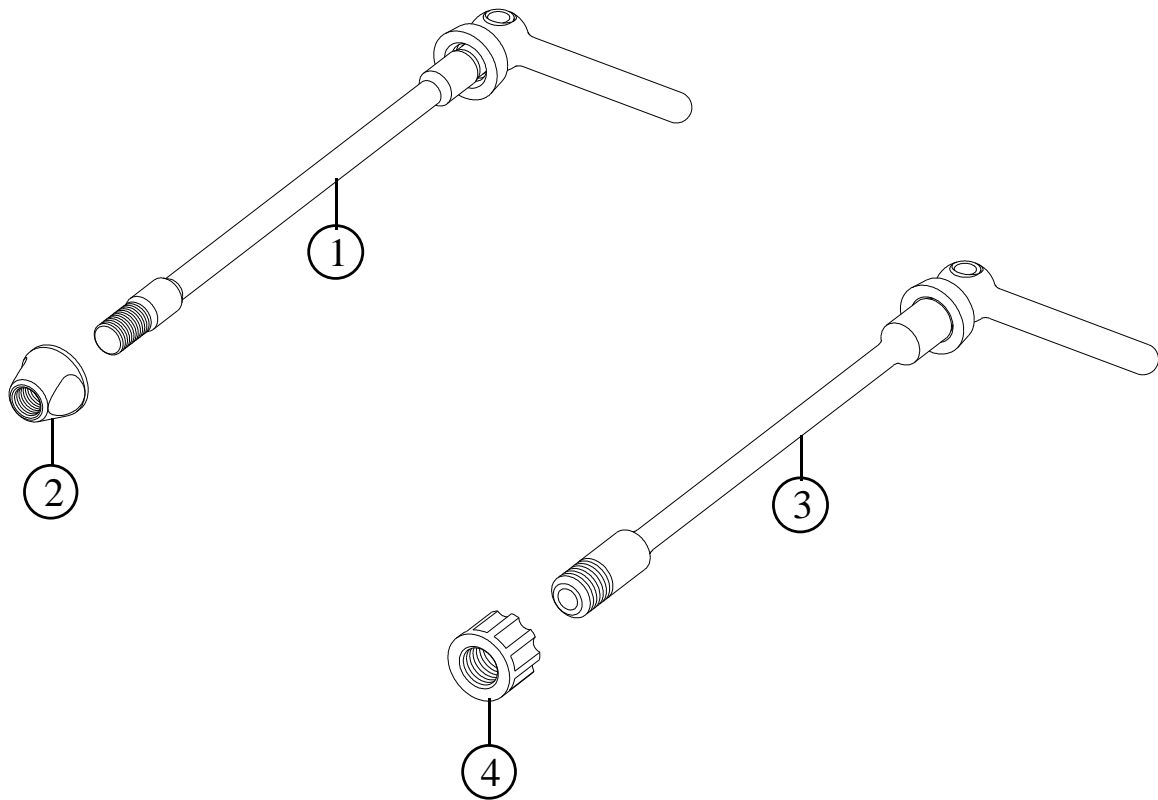
Specifications are subject to change without notice

**2014**



Item no.	Code	DESCRIPTION		Price €
1	RHURACEX12	Axle Cap Ends X12 (142 x12mm). L&R. Inner dia. 17mm	Set of 2 pcs	20,1 set
2	RHURACE10	Axle Cap Ends for 10mm Through-Axle Quick R. L&R. Inner dia. 17mm	Set of 2 pcs	20,1 set
3	SE1952615VC	Rubber Lip Seal 19,5 x 26 x 1,5mm	Set of 2 pcs	3,40 set
4	SW1724015	Steel washer: 17 x 24 x 0,15mm	Set of 10 pcs	1,0 set
5	RHURAX	Axle dia. 17mm. Length 123,5mm. Light Alloy. Hard Anodised		30,0
6	RHURB	Urano Enduro Hub Body /Alloy. 32H		70,0
7	RHURSTR	Teethed Ring in Steel (Urano)		16,0
8	HUBMKIT	Enduro Bearing 17 x 26 x 5mm ABEC5 61803 2RS	Set of 2pcs	17,2 set
9	EBMR17287	Enduro Bearing 17 x 28 x 7mm ABEC5 2RS		7,5
10	EB3803	Enduro Bearing 17 x 26 x 10mm 3803 2RS		15,50
11 - 12	RHVRFS	Freewheel Spacers 20 x 17 x 10,3mm + 21,8 x 17 x 15,5mm / Light Alloy	Set of 2 pcs	4,0
13	RHVRFP	Freewheel Big Pawls in High Steel + Coil Spring	Set of 4 pcs	15,0 set
14	RHURFW4P10	Big Pawl Freewheel Body for 10s cassettes . Light Alloy		35,0
15	RHURFWXX1	Big Pawl Freewheel Body for 11s Sram XX1 / X01 cassettes . Light Alloy		35,0
16	RHROC10XX1	Axle Cap End for 10mm Through-Axle Quick R. For XX1 Freewheel (RHURFWXX1) Right side		6,0
17	RHROC12XX1	Axle Cap End X12 (12x142). For XX1 Freewheel (RHURFWXX1) Right side		6,0
18	SE3744525VG	Rubber Lip Seal SE 37 x 44,5 x 2,5 VG		4,0
19	URDLR6H	Disc Lock-Ring for use with specific 6 pin Tool / Light Alloy		12,0
20	URDLRTOOL	Disc Lock-Ring Tool (6 pins)		19,0

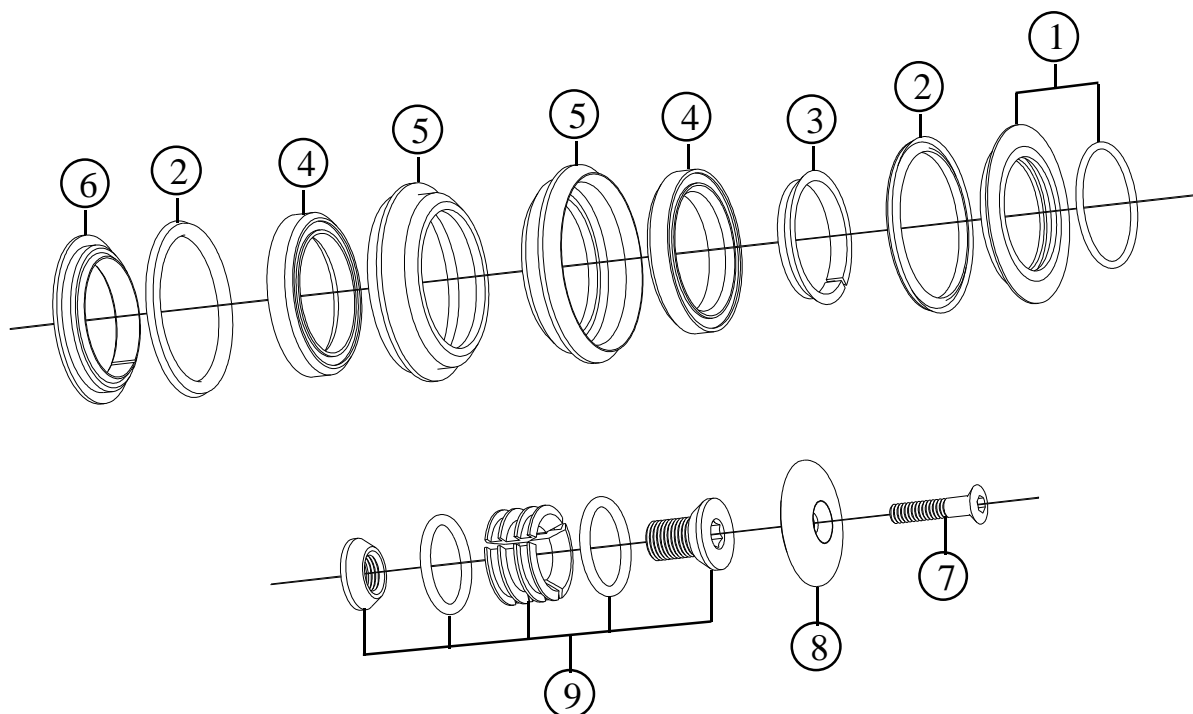
Specifications are subject to change without notice



Item no.	Code	DESCRIPTION	Price €
1	QRTTFRD	Task Team Front. Axle 9mm dia.. Red, Titan, Black, Blue, Orange Lever	28,0
1	QRTTR	Task Team Rear. Axle 10mm dia.. Red, Titan, Black, Blue, Orange Lever	32,0
2	QR00D	Nut for Task Team. Front or Rear	4,0
3	QRTTETR	Task Team E-Thru (Rear). Axle 12mm dia.	39,0
4	QR00ET	Nut for Task Team E-Thru	4,0

Head Set  
**D-SET ZS 1 1/8"**  
**(S.H.I.S. ZS44/28,6 | ZS44/30)**

**2014**



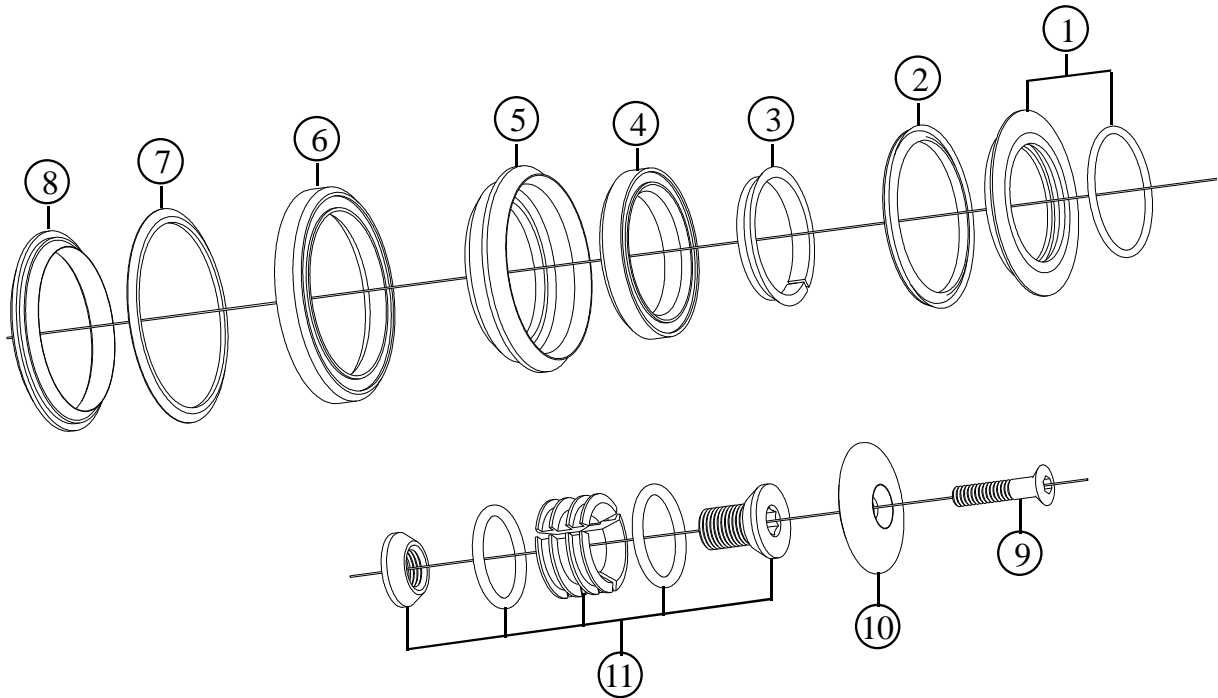
**1 1/8" EXPANDER-PLUG TEAM**

Item no.	Code	DESCRIPTION	Price €
1	HSDSUCABLK	Upper Head Cone Assembly with O-Ring 2112 (ID 28,30 x 1,78mm) Black anodised	7,0
1	HSDSUCARD	Upper Head Cone Assembly with O-Ring 2112 (ID 28,30 x 1,78mm) Red anodised	7,0
1	HSDSUCATT	Upper Head Cone Assembly with O-Ring 2112 (ID 28,30 x 1,78mm) Titan anodised	7,0
1	HSDSUCABE	Upper Head Cone Assembly with O-Ring 2112 (ID 28,30 x 1,78mm) Blue anodised	7,0
1	HSDSUCAOR	Upper Head Cone Assembly with O-Ring 2112 (ID 28,30 x 1,78mm) Orange anodised	7,0
2	SE3744525VG	Rubber Lip Seal SE 37x44,4x2,5 VG (2pcs)	4,0
3	HSC202	Upper Head Split Cone / Light Alloy	3,0
4-2	DS18MKIT	Kit of Bearing ABC 36°x45° 41x30,15x6,5mm+Rubber Lip Seal SE 37x44,4x2,5 VG	Set 23,2 set
5	HSDSOZBCBL	Lower or Upper Zero Stack Head Cup Housing for 41mm Outer Dia. Bearing / Black anodised	7,00 pc
6	HSDSLHC	Lower Head Cone for 1 1/8" Forks	5,00
7	TSCCE525T	Bolt for play adjustment M5 x 25mm. Cone-Head / Titanium. Gold plated	8,1
8	EP201BLK	Cap / Light Alloy / Black anodised	6,0
8	EP201TRD	Cap / Light Alloy / Red anodised	6,0
8	EP201TTT	Cap / Light Alloy / Titan anodised	6,0
8	EP201TBE	Cap / Light Alloy / Blue anodised	6,0
8	EP201TOR	Cap / Light Alloy / Orange anodised	6,0
9	EP200	Expander-Plug assembly	8,0 set

Specifications are subject to change without notice

Head Set  
**D-SET 1,5" Taper ZS/IS**  
 (S.H.I.S. ZS44/28,6 | IS52/40)

**2014**



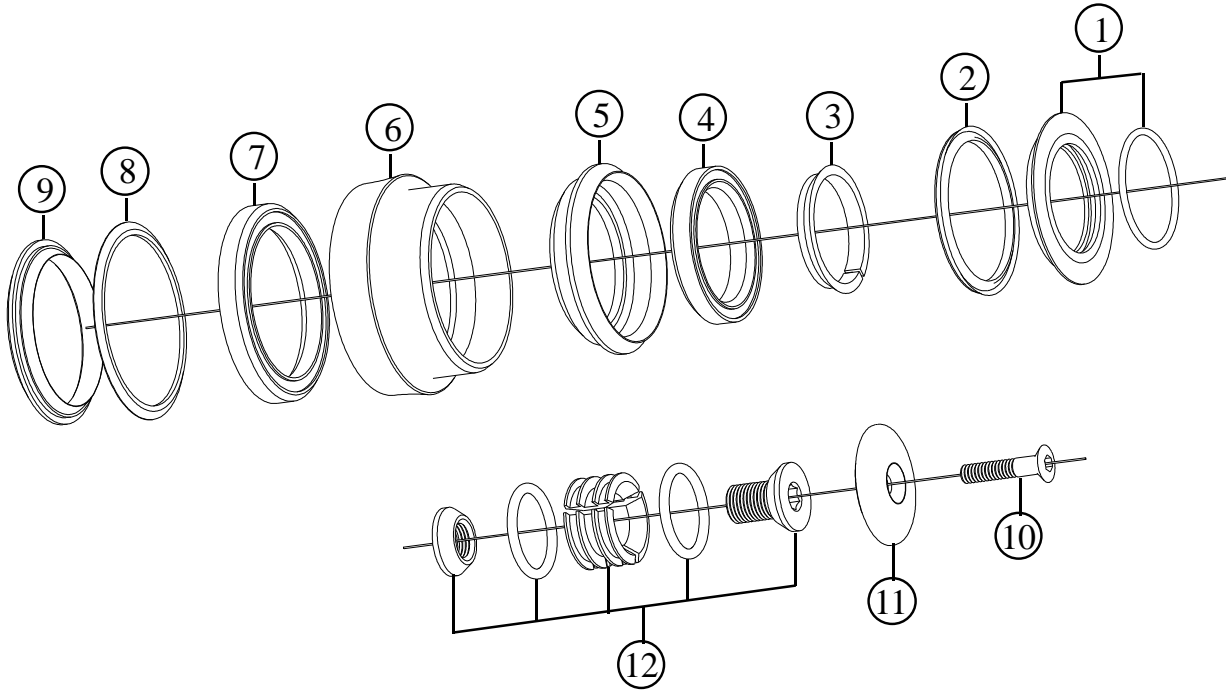
**1 1/8" EXPANDER-PLUG TEAM**

Item no.	Code	DESCRIPTION	Price €
1	HSDSUCABLK	Upper Head Cone Assembly with O-Ring 2112 (ID 28,30 x 1,78mm) Black anodised	7,0
1	HSDSUCARD	Upper Head Cone Assembly with O-Ring 2112 (ID 28,30 x 1,78mm) Red anodised	7,0
1	HSDSUCATT	Upper Head Cone Assembly with O-Ring 2112 (ID 28,30 x 1,78mm) Titan anodised	7,0
1	HSDSUCABE	Upper Head Cone Assembly with O-Ring 2112 (ID 28,30 x 1,78mm) Blue anodised	7,0
1	HSDSUCAOR	Upper Head Cone Assembly with O-Ring 2112 (ID 28,30 x 1,78mm) Orange anodised	7,0
2	SE3744525VG	Rubber Lip Seal SE 37x44,4x2,5VG	4,0
3	HSC202	Upper Head Split Cone / Light Alloy	3,0
2-4-6-7	DS15MKIT	Bearings ABC 36°x45° 41x30,15x6,5mm+52x40x6,5mm+Rubber Lip Seals	Set 21,9 set
5	HSDSOZBCBLK	Upper Zero Stack Head Cup Housing for 41mm Outer Dia. Bearing / Black anodised	7,00
7	SE4525VG	Rubber Lip Seal SE 52x45x2,5VG	4,0
8	HSE2SLHC15	Lower Head Cone for 1,5" Forks	8,0
8	HSE2SLHC118	OPTIONAL: Lower Head Cone for 1 1/8" Forks	8,0
9	TSCCE525T	Bolt for play adjustment M5 x 25mm. Cone-Head / Titanium. Gold plated	8,1
10	EP201TBLK	Cap / Light Alloy / Black anodised	6,0
10	EP201TRD	Cap / Light Alloy / Red anodised	6,0
10	EP201TTT	Cap / Light Alloy / Titan anodised	6,0
10	EP201TBE	Cap / Light Alloy / Blue anodised	6,0
10	EP201TOR	Cap / Light Alloy / Orange anodised	6,0
11	EP200	Expander-Plug assembly	8,0 set

Specifications are subject to change without notice

**D-SET 1,5" Taper 49**  
**(S.H.I.S. ZS44/28,6 | EC49/40)**  
**D-SET 1,5" Taper 44**  
**(S.H.I.S. ZS44/28,6 | EC44/40)**

**2014**



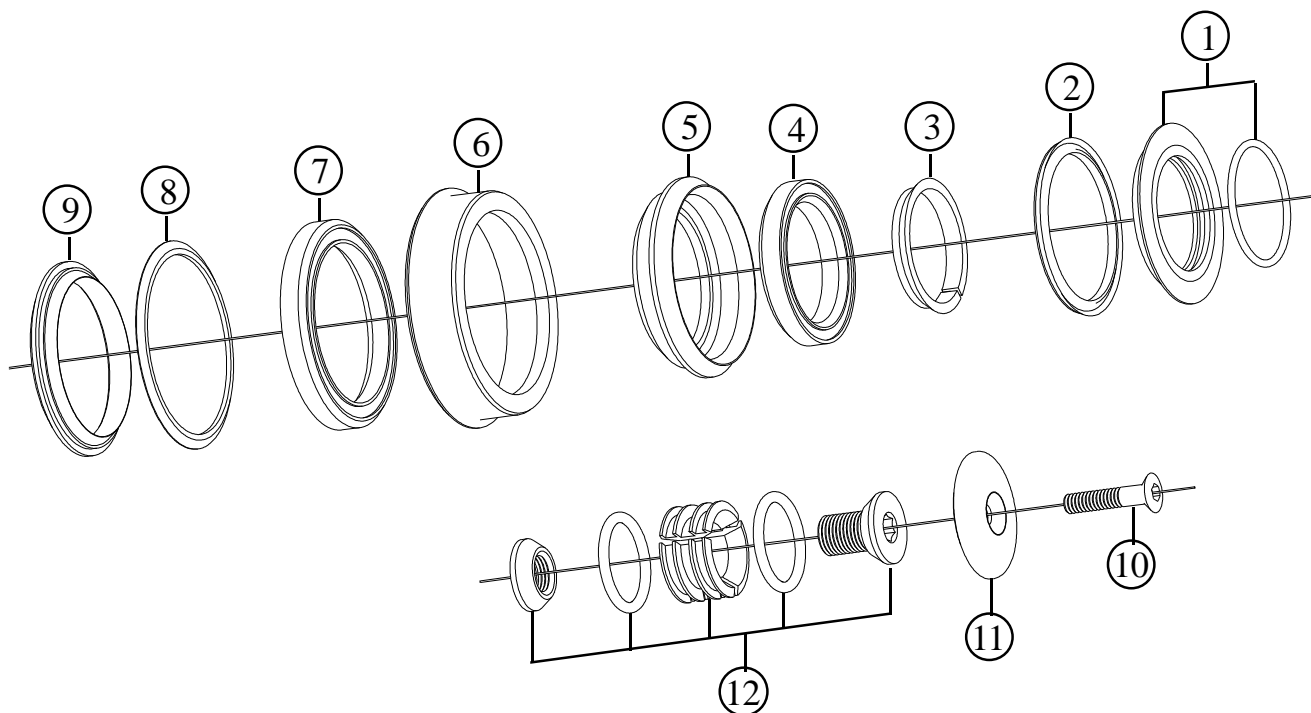
**1 1/8" EXPANDER-PLUG TEAM**

Item no.	Code	DESCRIPTION	Price €
1	HSDSUCABLK	Upper Head Cone Assembly with O-Ring 2112 (ID 28,30 x 1,78mm) Black anodised	7,0
1	HSDSUCARD	Upper Head Cone Assembly with O-Ring 2112 (ID 28,30 x 1,78mm) Red anodised	7,0
1	HSDSUCATT	Upper Head Cone Assembly with O-Ring 2112 (ID 28,30 x 1,78mm) Titan anodised	7,0
1	HSDSUCABE	Upper Head Cone Assembly with O-Ring 2112 (ID 28,30 x 1,78mm) Blue anodised	7,0
1	HSDSUCAOR	Upper Head Cone Assembly with O-Ring 2112 (ID 28,30 x 1,78mm) Orange anodised	7,0
2	SE3744525VG	Rubber Lip Seal SE 37x44,4x2,5VG	4,0
3	HSC202	Upper Head Split Cone / Light Alloy	3,0
2-4-7-8	DS15MKIT	Bearings ABC 36°x45° 41x30,15x6,5mm+52x40x6,5mm+Rubber Lip Seals	Set 21,9 set
5	HSDSOZBCBLK	Upper Zero Stack Head Cup Housing for 41mm Outer Dia. Bearing / Black anodised	7,00
6	HSDSEC1549	Lower External Head Cup Housing for 52mm Outer Dia. Bearing / 49,6mm frame bore	15,0
6	HSDSEC1544	Lower External Head Cup Housing for 52mm Outer Dia. Bearing / 44mm frame bore	15,0
8	SE45525VG	Rubber Lip Seal SE 52x45x2,5VG	4,0
9	HSE2SLHC15	Lower Head Cone for 1,5" Forks	8,0
9	HSE2SLHC118	OPTIONAL: Lower Head Cone for 1 1/8" Forks	8,0
10	TSCCE525T	Bolt for play adjustment M5 x 25mm. Cone-Head / Titanium. Gold plated	8,1
11	EP201TBLK	Cap / Light Alloy / Black anodised	6,0
11	EP201TRD	Cap / Light Alloy / Red anodised	6,0
11	EP201TTT	Cap / Light Alloy / Titan anodised	6,0
11	EP201TBE	Cap / Light Alloy / Blue anodised	6,0
11	EP201TOR	Cap / Light Alloy / Orange anodised	6,0
12	EP200	Expander-Plug assembly	8,0 set

Specifications are subject to change without notice

Head Set  
**D-SET 1,5" Taper ZS**  
**(S.H.I.S. ZS44/28,6 | ZS56/40)**

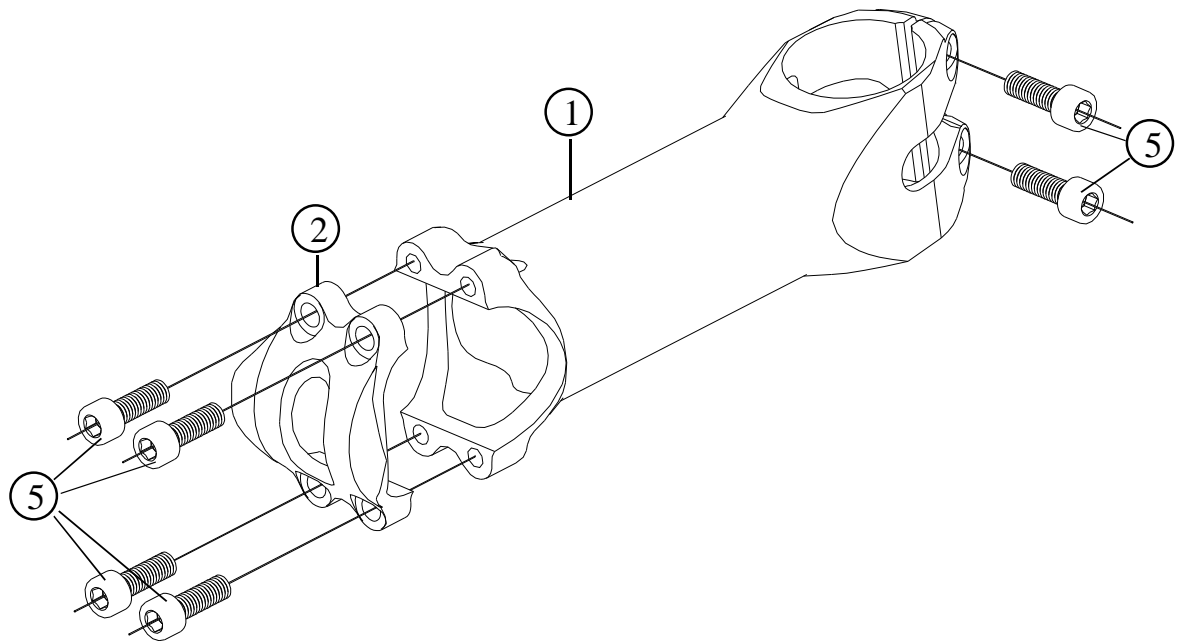
**2014**



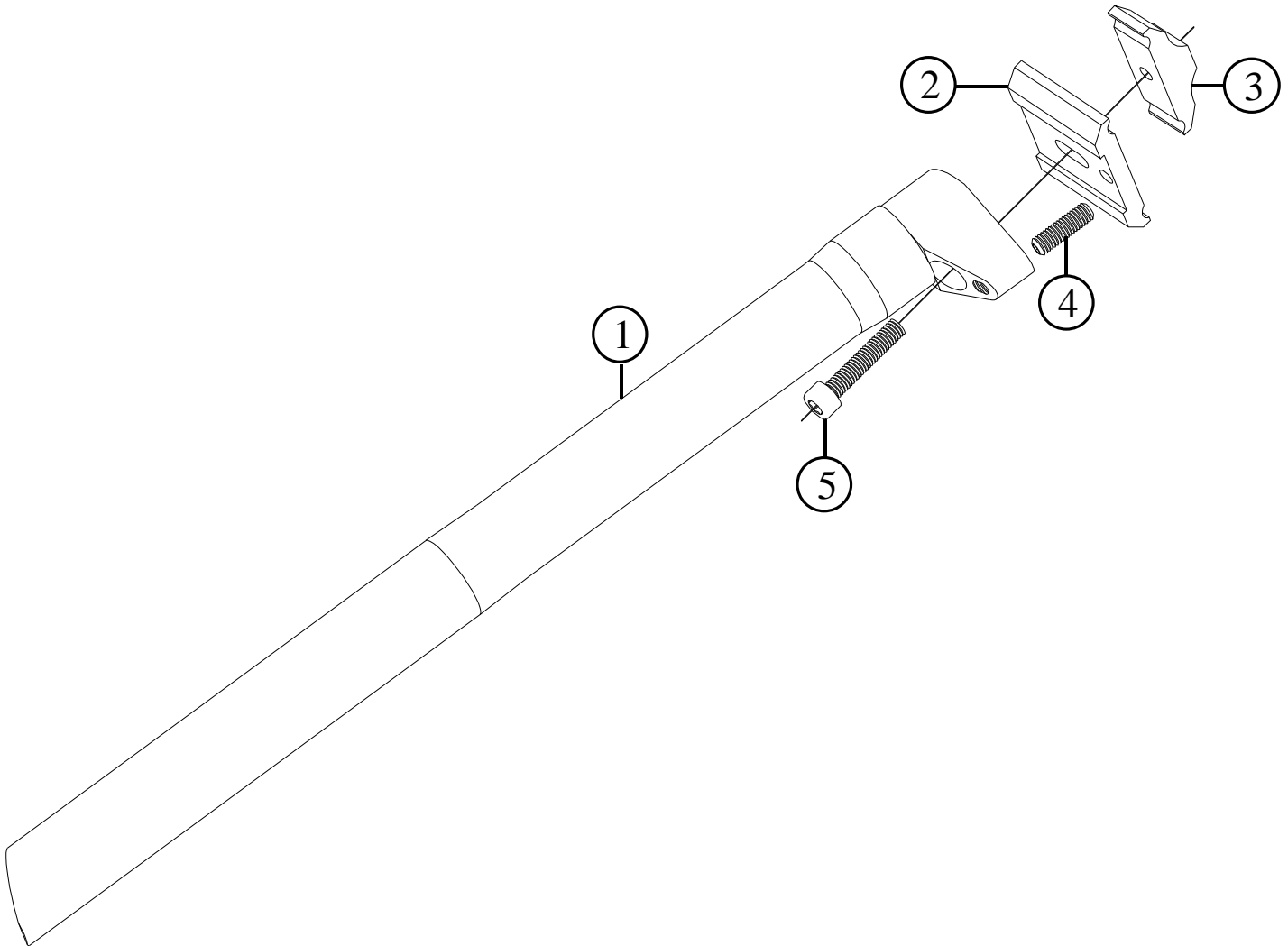
**1 1/8" EXPANDER-PLUG TEAM**

Item no.	Code	DESCRIPTION	Price €
1	HSDSUCABLK	Upper Head Cone Assembly with O-Ring 2112 (ID 28,30 x 1,78mm) Black anodised	7,0
1	HSDSUCARD	Upper Head Cone Assembly with O-Ring 2112 (ID 28,30 x 1,78mm) Red anodised	7,0
1	HSDSUCATT	Upper Head Cone Assembly with O-Ring 2112 (ID 28,30 x 1,78mm) Titan anodised	7,0
1	HSDSUCABE	Upper Head Cone Assembly with O-Ring 2112 (ID 28,30 x 1,78mm) Blue anodised	7,0
1	HSDSUCAOR	Upper Head Cone Assembly with O-Ring 2112 (ID 28,30 x 1,78mm) Orange anodised	7,0
2	SE3744525VG	Rubber Lip Seal SE 37x44,4x2,5VG	4,0
3	HSC202	Upper Head Split Cone / Light Alloy	3,0
2-4-7-8	DS15MKIT	Bearings ABC 36°x45° 41x30,15x6,5mm+52x40x6,5mm+Rubber Lip Seals	Set 21,9 set
5	HSDSOZBCBLK	Upper Zero Stack Head Cup Housing for 41mm Outer Dia. Bearing / Black anodised	7,00
6	HSDSTH1556	Lower Zero Stack Head Cup Housing for 52mm Outer Dia. Bearing / 56mm frame bore	15,0
8	SE45525VG	Rubber Lip Seal SE 52x45x2,5VG	4,0
9	HSE2SLHC15	Lower Head Cone for 1,5" Forks	8,0
9	HSE2SLHC118	OPTIONAL: Lower Head Cone for 1 1/8" Forks	8,0
10	TSCCE525T	Bolt for play adjustment M5 x 25mm. Cone-Head / Titanium. Gold plated	8,1
11	EP201TBLK	Cap / Light Alloy / Black anodised	6,0
11	EP201TRD	Cap / Light Alloy / Red anodised	6,0
11	EP201TTT	Cap / Light Alloy / Titan anodised	6,0
11	EP201TBE	Cap / Light Alloy / Blue anodised	6,0
11	EP201TOR	Cap / Light Alloy / Orange anodised	6,0
12	EP200	Expander-Plug assembly	8,0 set

Specifications are subject to change without notice



Item no.	Code	DESCRIPTION	Price €
1	WS6B75	Light alloy Stem Shaft 75mm (Black)	66,0
1	WS6B90	Light alloy Stem Shaft 90mm (Black)	66,0
1	WS6B100	Light alloy Stem Shaft 100mm (Black)	66,0
1	WS3B110	Light alloy Stem Shaft 110mm (Black)	66,0
2	WS6BCBLK	Stem Cap / Black	18,0
2	WS6BCTT	Stem Cap / Titan	18,0
2	WS6BCRD	Stem Cap / Red	18,0
2	WS6BCBE	Stem Cap / Blue	18,0
2	WS6BCOR	Stem Cap / Orange	18,0
5	TCC515TIKIT	Allen Bolt M5x15 / Titanium - Gold Plated	Set of 6pcs 41,4 set



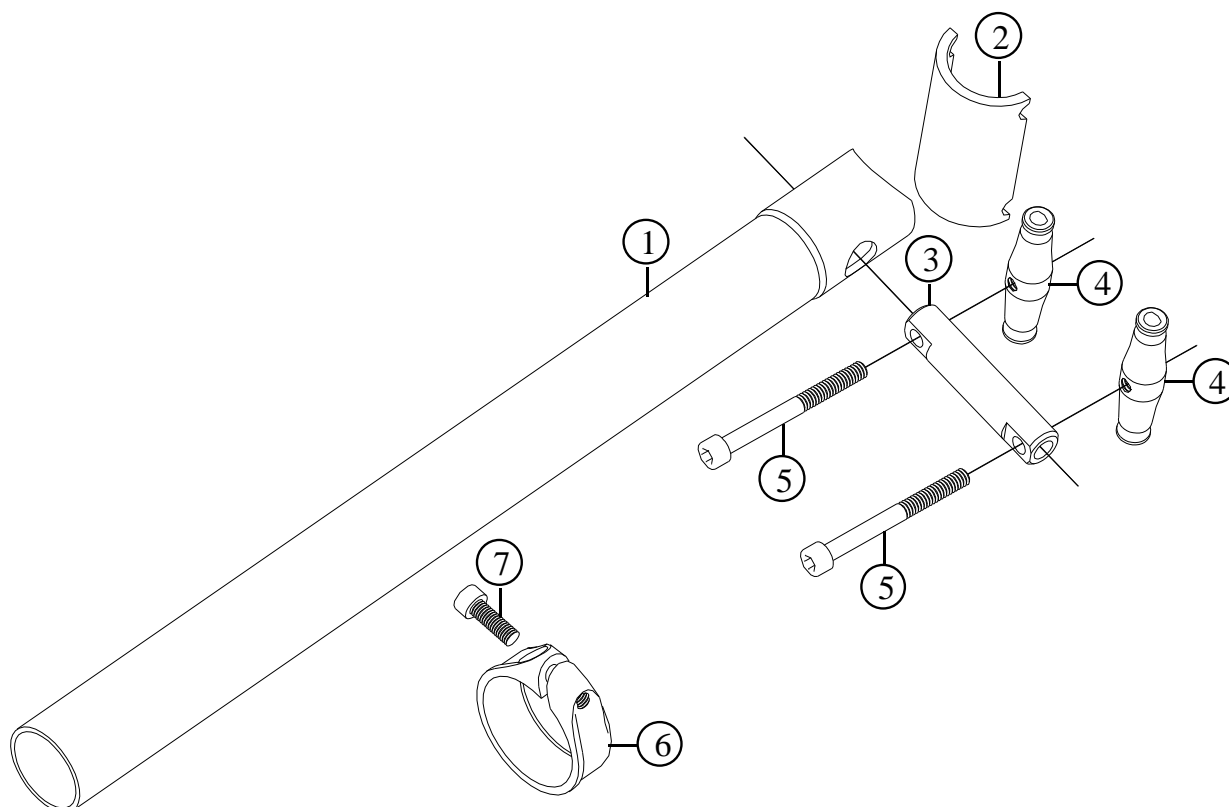
Item no.	Code	DESCRIPTION	Price €
1	STM11B272	Light alloy Body for Titanium Hardware. 27,2 x 370mm	65,0
1	STM11B309	Light alloy Body for Titanium Hardware. 30,9 x 370mm	65,0
1	STM11B316	Light alloy Body for Titanium Hardware. 31,6 x 370mm	65,0
2	STOS02	Rails Platform / Light Alloy	20,0
3	STOS03T	Rails Clamp for M7 Titanium Bolt (Black anodised)	15,0
5	TCC730T	Allen Bolt M7 x 39mm in Titanium – Gold Plated. Special design	10,9

Seatpost for MTB

**ST-M10 Ti. 27,2 x 350**  
**ST-M10 Ti. 30,9 x 350**  
**ST-M10 Ti. 31,6 x 350**  
**ST-M10 XL Ti. 30,9 x 400**  
**ST-M10 XL Ti. 31,6 x 400**

**FRM**   
 BIKE TECHNOLOGY

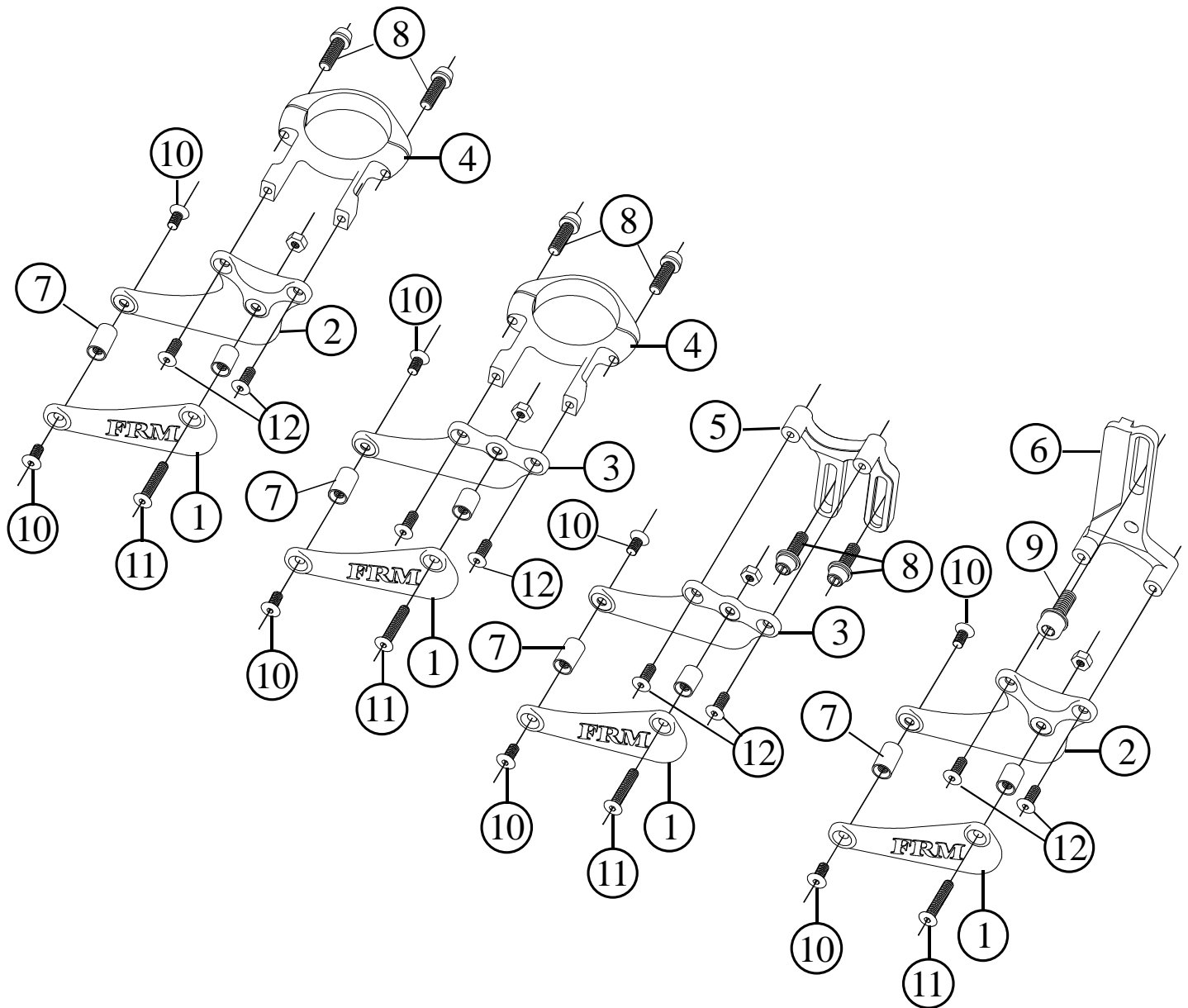
**2014**



Item no.	Code	DESCRIPTION	Price €
1	STM101B	Light Alloy Post 27,2 x 350mm	65,0
1	STM101C	Light Alloy Post 30,9 x 350mm . Externally double butted	65,0
1	STM101D	Light Alloy Post 31,6 x 350mm . Externally double butted	65,0
1	STM101C4	Light Alloy Post 30,9 x 400mm . Externally double butted	74,0
1	STM101D4	Light Alloy Post 31,6 x 400mm . Externally double butted	74,0
2	STM102RD	Rails Cradle. Light Alloy. Red anodised	8,0
2	STM102TT	Rails Cradle. Light Alloy. Titan anodised	8,0
2	STM102BE	Rails Cradle. Light Alloy. Blue anodised	8,0
2	STM102BLK	Rails Cradle. Light Alloy. Black anodised	8,0
2	STM102OR	Rails Cradle. Light Alloy. Orange anodised	8,0
3	STM103T	Pin for Titanium bolts. Black anodised	7,0
4	STM104T	Rail Clamp for M6 Titanium Bolts	Set of 2pcs 14,0 set
5	TCC558T	Allen Bolt M6 x 50mm in Titanium – Gold Plated. Special design	Set of 2pcs 23,6 set
6	STAC35	SC35 Seat Clamp. 34,9mm dia Black, Titan, Red, Blue, Orange anodised. Without Bolt	13,0
6	STAC32	SC32 Seat Clamp. 31,6mm dia Black, Titan, Red, Blue, Orange anodised. Without Bolt	13,0
7	TCC515T	Allen Bolt M5 x 15 / Titanium – Gold Plated	6,9

Specifications are subject to change without notice

**2014**



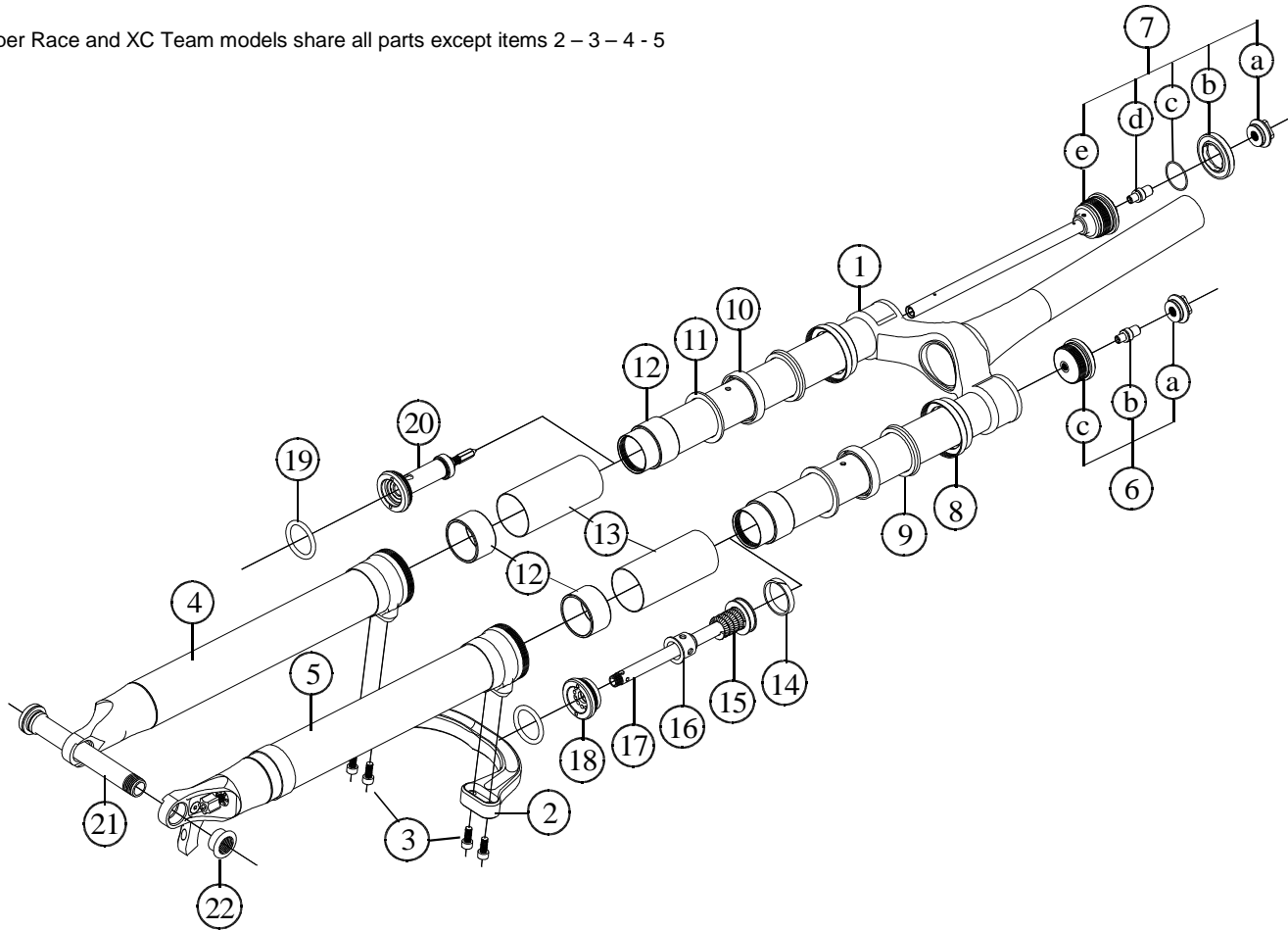
Item no.	Code	DESCRIPTION	Price €
1	KCUCOP	Outer Plate in Carbon Fibre with FRM Logo	25,0
2	KCHCHIP	High Inner Plate in Carbon Fibre	25,0
3	KCUCLIP	Low Inner Plate in Carbon Fibre	25,0
4	KCUCO	Collar. Set of two pieces in Light Alloy. 34,9mm inner dia.	28,0
5	KCUS3A	Direct-Mount S3 Adaptor in Light Alloy	28,0
6	KCHHMA	High Direct-Mount Adaptor in Light Alloy	28,0
7	KCHPS	Plate Spacers. Set of two pieces in Light Alloy	Set of 2 pcs 3,2
8	TCC512T	Allen Bolt M5 x 12. Titanium - Gold Plated	Set of 2pcs 13,2 set
9	TCC615T	Allen Bolt M6 x 15. Titanium - Gold Plated	5,5
10	TSCCE49T	Cone Head Bolt M4 x 9mm. Titanium - Gold plated	Set of 2pcs 13,6 set
11	TSCCE422T	Cone Head Bolt M4 x 22mm. Titanium - Gold plated	8,0
12	TSCCE411T	Cone Head Bolt M4 x 11mm. Titanium - Gold plated	Set of 2pcs 14,0 set

Specifications are subject to change without notice

MTB Suspension Fork  
**AIR-WAY 32 SUPER RACE 27,5"**  
**AIR-WAY 32 XC TEAM 27,5"**

**2014**

Super Race and XC Team models share all parts except items 2 – 3 – 4 - 5



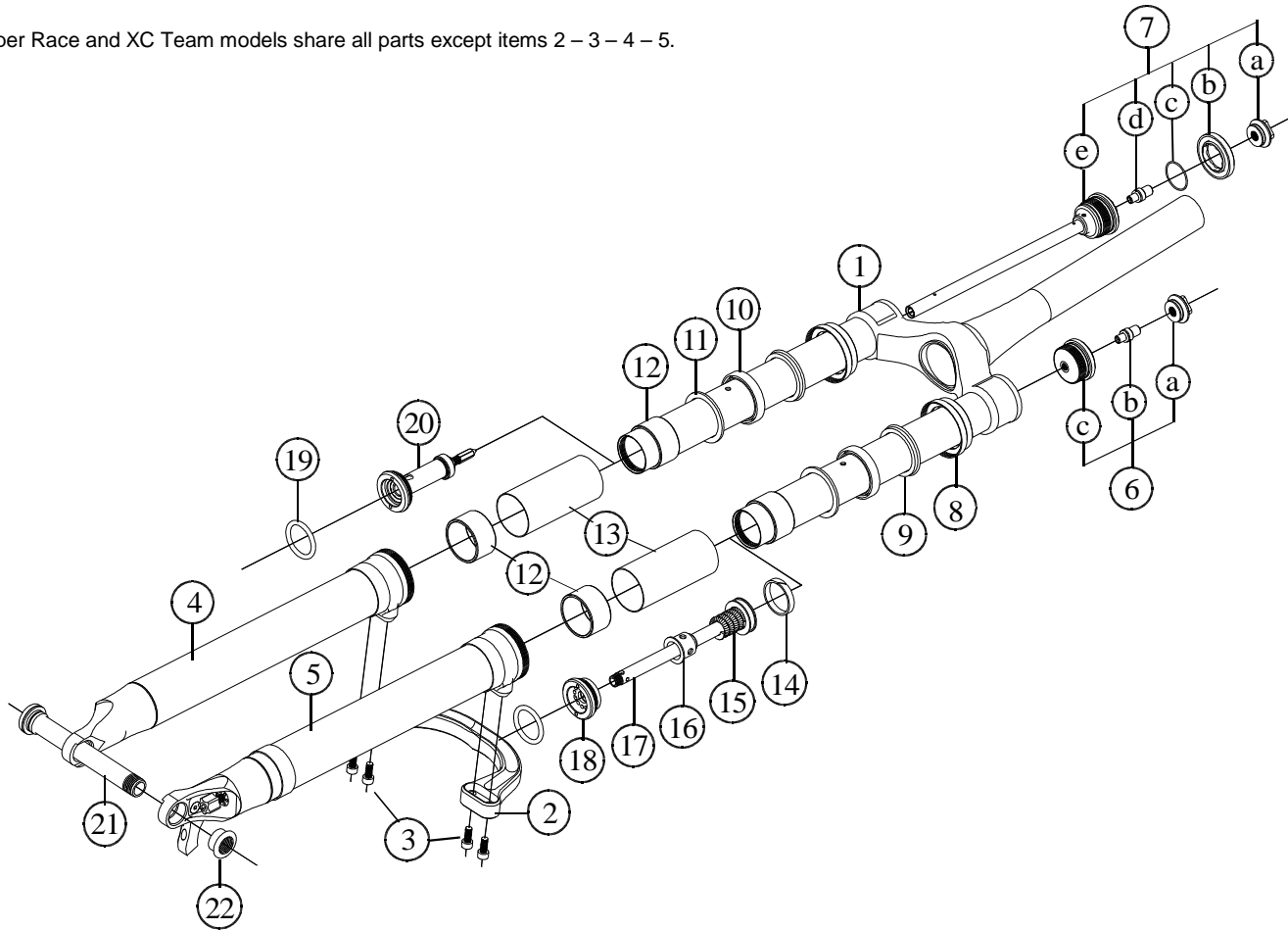
Specifications are subject to change without notice

Item no.	Code	DESCRIPTION	Price €
1	AW32CA15	Crown assembly with 32mm stanchions. 1,5 Tapered Steerer Tube	325,0
2	03RBEVO	Reversed Brace for XC Team. Light Alloy. Red anodised	72,0
3	TCC512Ti	Brace Fixing Bolt. M5x12mm Torx25. Titanium, Gold Plated	Set of 4pcs 26,4 set
4	AW32RLL27	Right Lower Leg for XC Team 27,5". QR15 Dropouts. Carbon Fibre	160,0
5	AW32LLL27	Left Lower Leg for XC Team 27,5". QR15 Dropouts. Carbon Fibre	190,0
6a - 7a	21C	Air Valve Cap & O-Ring 2056 (I.D. 14 x 1,78mm)	Set of 2pcs 12,0 set
6b - 7d	21B30	Air Valve Body & O-Ring 2021 (I.D. 5,28 x 1,78mm)	6,0
6c	AW32AV	Air Valve for 32mm Stanchions & O-Ring 2106 (I.D. 26,70 x 1,78mm)	6,0
7b - 7c	AW32SSVK	Knob of SSV Valve & O-Ring 1x22mm	8,0
7e	AW32SSVA	Actuator of SSV Valve – Assembly of Several Parts	20,0
8	AW32OSLR	Oil Seal Lock-Ring for 32mm Stanchions / Light Alloy	6,0 pc
9 - 10	AW32MKIT	02 Dust Seal + 02 Oil Seal TTO TC 32x42x7mm + Oil Seal Tool 32 + 20cc DOT 5,1 oil	30,3 kit
11	AW32OSS	Shim / Light Alloy	Set of 2pcs 3,0 set
12	W30032	Bushings. Iglodur W300 36 x 32 x 20mm	Set of 4pcs 30,0 set
13	AW32BS	Bushing Spacer / Light Alloy	3,0 pc
14	AW32PS	Piston Seal for 32mm Stanchions FG 15049	0,5
15	09SP	Negative – Top-Out Spring (Dia. 18,4mm. Length 25mm)	2,0
16	AW32TL	Tavel Limiator (19mm long) for 85mm travel. 100mm travel without spacer	3,0
17	AW32PSA	Piston/Shaft Assembly. 28mm Piston Dia. 140mm Shaft. Light Alloy	15,0
18	AW32OVA	Oil Valve Assembly for 32mm Stanchions	8,0
19	10A	Bottom-Out Damper. O-Ring	Set of 2pcs 1,0 set
20	AW32SSV	SSV Valve Assembly for 32mm Stanchions	17,0
Not Visible	18	Damping Adjustment Piston & O-Ring 2012 (I.D.) 2,90 x 1,78mm)	2,0
21	QR15AX	QR15 Axle (Hard Anodised)	37,0
22	QR15AXN	QR15 Axle Nut (Hard Anodised)	5,0
22a	QR15AXW	QR15 Washer (Delrin)	0,5
23	OST32	Oil Seal Tool for 32mm Stanchions	19,0

MTB Suspension Fork  
**AIR-WAY 32 SUPER RACE 29"**  
**AIR-WAY 32 XC TEAM 29"**

**2014**

Super Race and XC Team models share all parts except items 2 – 3 – 4 – 5.



Specifications are subject to change without notice

Item no.	Code	DESCRIPTION	Price €
1	AW32CA15	Crown assembly with 32mm stanchions. 1,5 Tapered Steerer Tube	325,0
2	03RBEVO	Reversed Brace for XC Team. Light Alloy. Red anodised	72,0
3	TCC512Ti	Brace Fixing Bolt. M5x12mm Torx25. Titanium, Gold Plated	Set of 4pcs 26,4 set
4	AW32RLL29	Right Lower Leg for XC Team 29". QR15 Dropouts. Carbon Fibre	160,0
5	AW32LLL29	Left Lower Leg for XC Team 29". QR15 Dropouts. Carbon Fibre	190,0
6a - 7a	21C	Air Valve Cap & O-Ring 2056 (I.D. 14 x 1,78mm)	Set of 2pcs 12,0 set
6b - 7d	21B30	Air Valve Body & O-Ring 2021 (I.D. 5,28 x 1,78mm)	6,0
6c	AW32AV	Air Valve for 32mm Stanchions & O-Ring 2106 (I.D. 26,70 x 1,78mm)	6,0
7b - 7c	AW32SSVK	Knob of SSV Valve & O-Ring 1x22mm	8,0
7e	AW32SSVA	Actuator of SSV Valve – Assembly of Several Parts	20,0
8	AW32OSLR	Oil Seal Lock-Ring for 32mm Stanchions / Light Alloy	6,0 pc
9 - 10	AW32MKIT	02 Dust Seal + 02 Oil Seal TTO TC 32x42x7mm + Oil Seal Tool 32 + 20cc DOT 5,1 oil	30,3 kit
11	AW32OSS	Shim / Light Alloy	Set of 2pcs 3,0 set
12	W30032	Bushings. Iglodur W300 36 x 32 x 20mm	Set of 4pcs 30,0 set
13	AW32BS	Bushing Spacer / Light Alloy	3,0 pc
14	AW32PS	Piston Seal for 32mm Stanchions FG 15049	0,5
15	09SP	Negative – Top-Out Spring (Dia. 18,4mm. Length 25mm)	2,0
16	AW32TL	Tavel Limitator (19mm long) for 85mm travel. 100mm travel without spacer	3,0
17	AW32PSA	Piston/Shaft Assembly. 28mm Piston Dia. 140mm Shaft. Light Alloy	15,0
18	AW32OVA	Oil Valve Assembly for 32mm Stanchions	8,0
19	10A	Bottom-Out Damper. O-Ring	Set of 2pcs 1,0 set
20	AW32SSV	SSV Valve Assembly for 32mm Stanchions	17,0
Not Visible	18	Damping Adjustment Piston & O-Ring 2012 (I.D.) 2,90 x 1,78mm)	2,0
21	QR15AX	QR15 Axle (Hard Anodised)	37,0
22	QR15AXN	QR15 Axle Nut (Hard Anodised)	5,0
22a	QR15AXW	QR15 Washer (Delrin)	0,5
23	OST32	Oil Seal Tool for 32mm Stanchions	19,0



**Via Mattei 18/a  
48025 Riolo Terme (RA)  
Italy**

**tel. +39 0546 70310**

**fax +39 0546 74623**

**e-mail: [info@frmbike.com](mailto:info@frmbike.com)**

**Ordini Italia: [ordini@frmbike.biz](mailto:ordini@frmbike.biz)**

**Foreign orders: [orders@frmbike.com](mailto:orders@frmbike.com)**

**[www.frmbike.com](http://www.frmbike.com)**